



Amertat - Group

Unlimited UPVC Solutions



UPVC

Windows & Doors Profiles

Catalogue 2021

Amertat Innovations

In a fast-changing world that is being reshaped by technology, clever thinking also accelerates progress. Continuous innovation is part of the Amertat Group DNA and we're driven by the



Amertat-Group

pursuit to optimize solutions for our customers around the globe. Come with us to explore recent Amertat inventions including the tomorrow we aspire to create today.

We were,
We are,
We will stay...



Ameratat Industrial Group

Ameratat Group is ready to present its products in the presence of a group of familiar and experienced managers of the country's UPVC industry and in order to meet the needs of consumer profiles of manufacturers of double-glazed doors and windows.

The managers of this company have tried so far with creativity & great effort in the expansion and excellence of the UPVC profile production industry in the country and always take steps towards new technologies.

Therefore, in this regard, they have prepared a special and unique mold for their company and other necessary requirements from the best and most reputable manufacturers in this industry, at the international level.

The company has specially designed its products with two brands of **Mundo** (grade A -5 Chamber profile) with high wall thickness & **Leowin** profile with perfect design & excellent quality and suitable for economic projects.



● **Amertat Laboratory**

Our quality control policy can include an analysis and evaluation of raw materials. Since these contribute to the quality of the final product, it is essential that our materials meet International standards. Inspection of materials can prevent manufacturing problems and defective products that you have already paid to make.



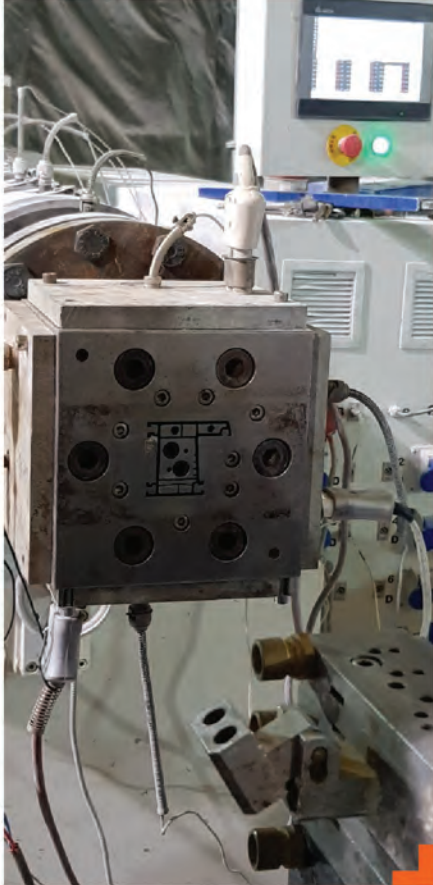
All of our machinery,
Molds & formulations



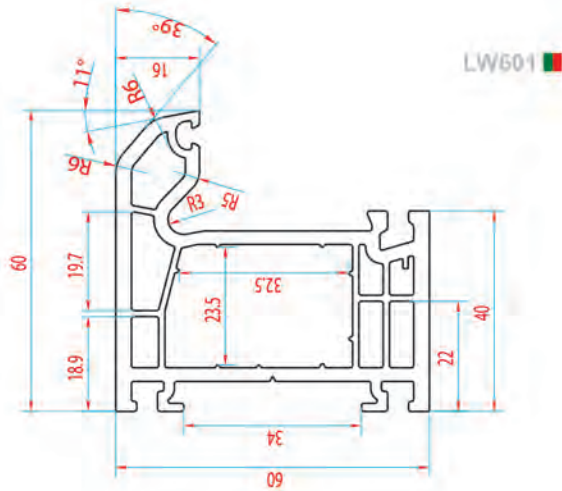
- **All laboratory tests are carried out according to RAL GZ-716 Standard**
- **Monitoring & Control raw material humidity level**
- **Measuring and analysis formulation density**
- **Strength test of profiles in -10 c**
- **Comparing dimension of profiles with main design**
- **Measuring the rate of thermal contractions and expansions**
- **Strength analysis of UPVC welded corners**
- **Monitoring surface & Colors quality**
- **Check the perpendicular deviation from straight line**



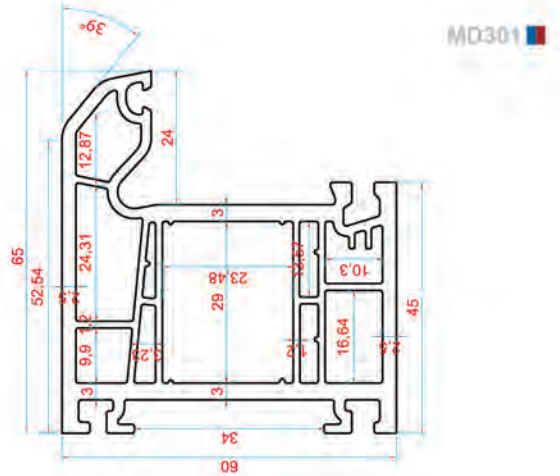
● Amertat Factory



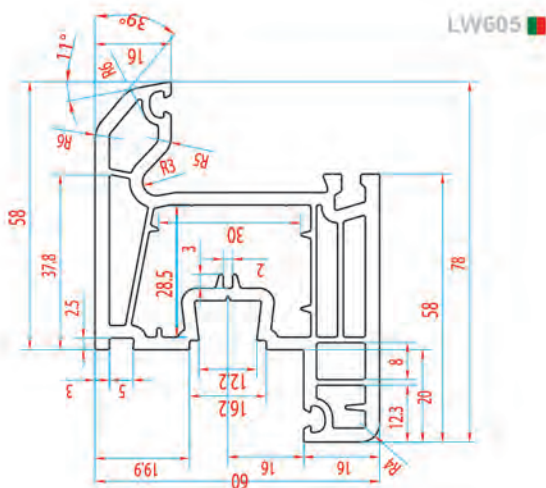
● Amertat Sections



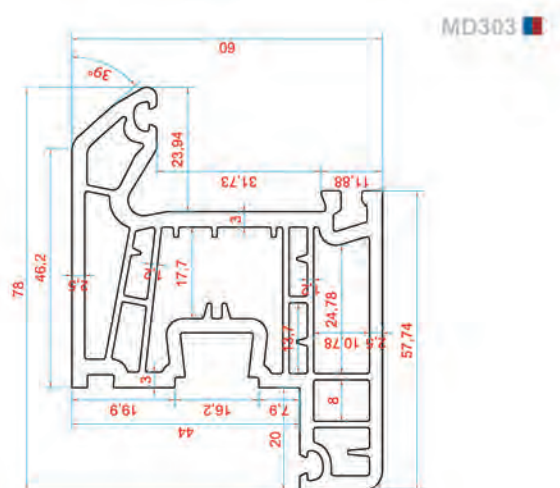
Frame/قاب
Leowin



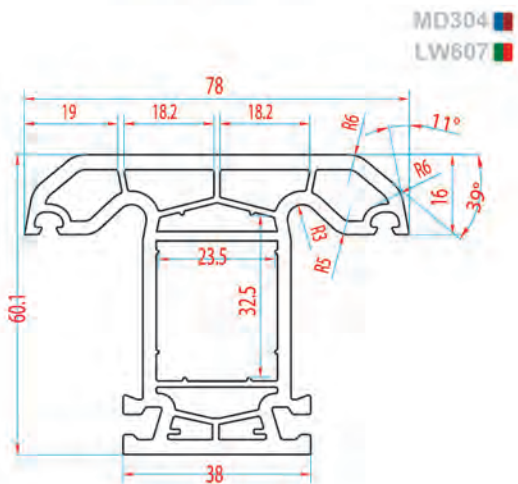
Frame/قاب
Mundo



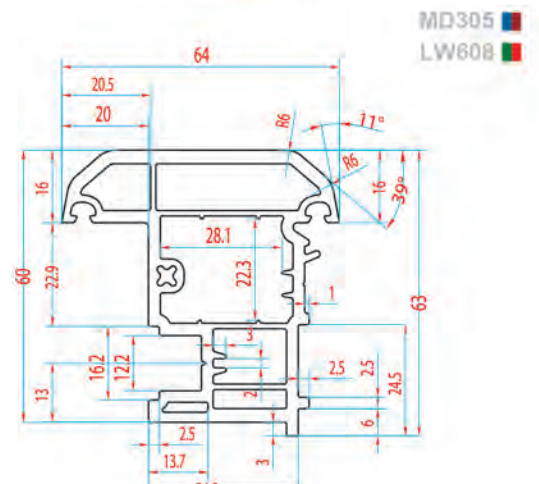
Sash/پنجره
Leowin



Sash/پنجره
Mundo

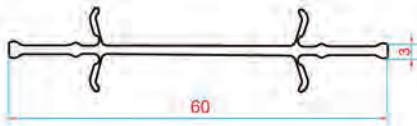


Mullion/ثابت
Leowin Mundo



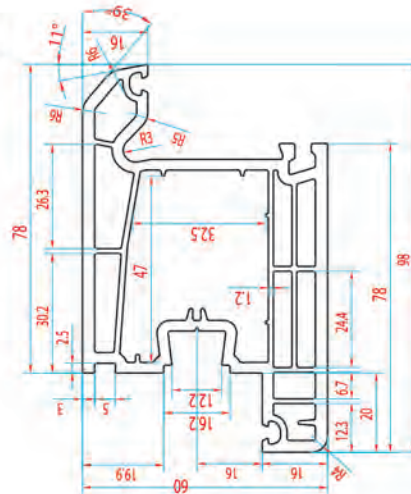
Overhung/متحرک
Leowin Mundo

MD315
LW638



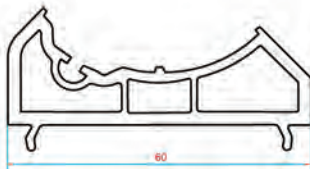
Mini Coupling/ اتصال قاب
Leowin Mundo

MD306
LW610



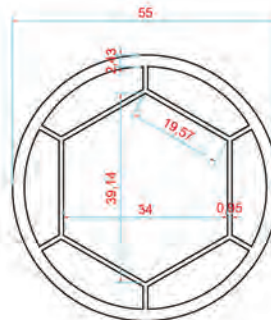
Door Sash/ لنگه درب
Leowin Mundo

MD317
LW640



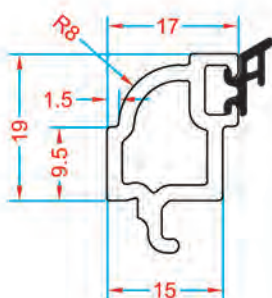
Coupling Adaptor/ آداپتور کوپل
Leowin Mundo

MD316
LW639



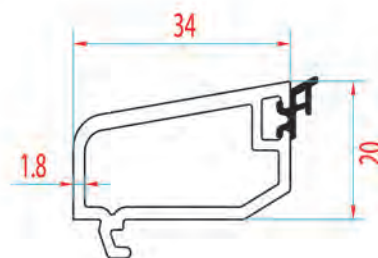
Moveable Coupling/ کوپل زاویه ایی
Leowin Mundo

MD310
LW630



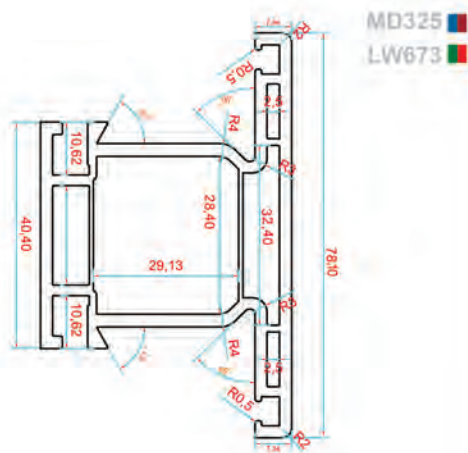
Double Glasshead/ زوار دوجداره
Leowin Mundo

MD311
LW631

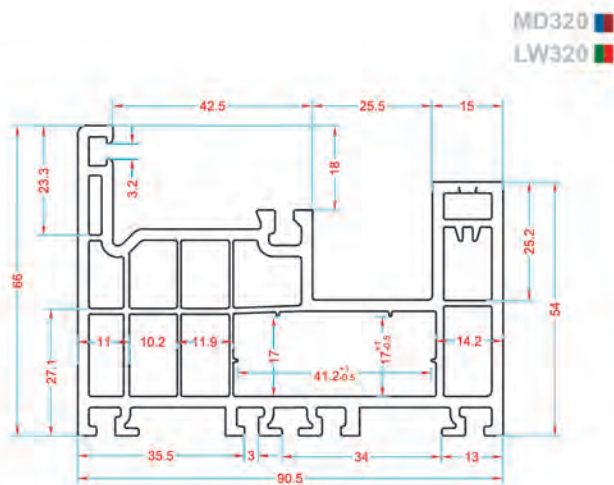


Single Glasshead/ زوار تک جداره
Leowin Mundo

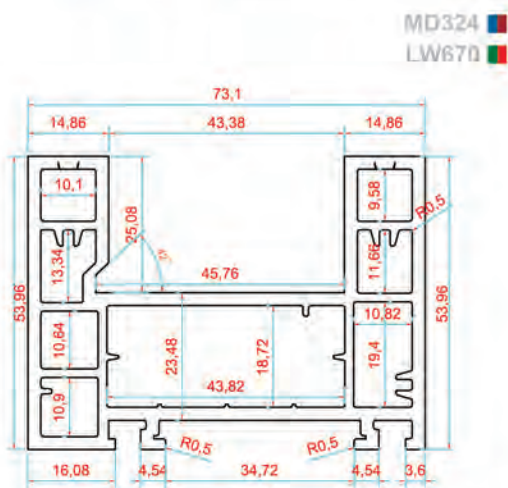
Amertat-UPVC Windows & Doors Profiles Profiles



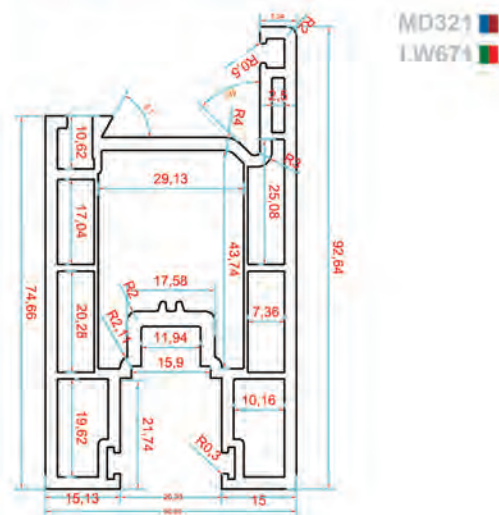
Sliding Mullion / مولیون کشویی



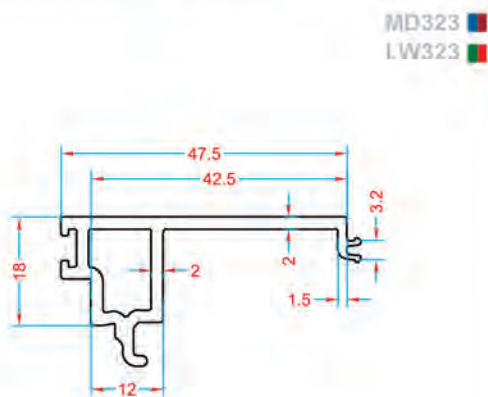
Mono-Rail Sliding Frame / قاب کشویی تک ریل



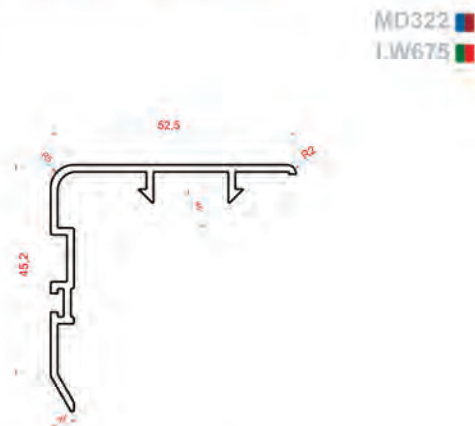
Multi-Slide Frame / قاب کشویی جفت ریل



Sliding Sash / لنگه کشویی



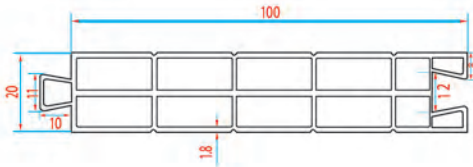
Sliding Frame Cover / پوشش قاب کشویی تک ریل



interlock / قفل میانی کشویی

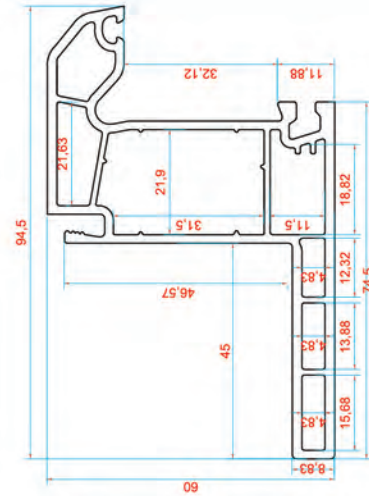


■ MD314
■ LW635

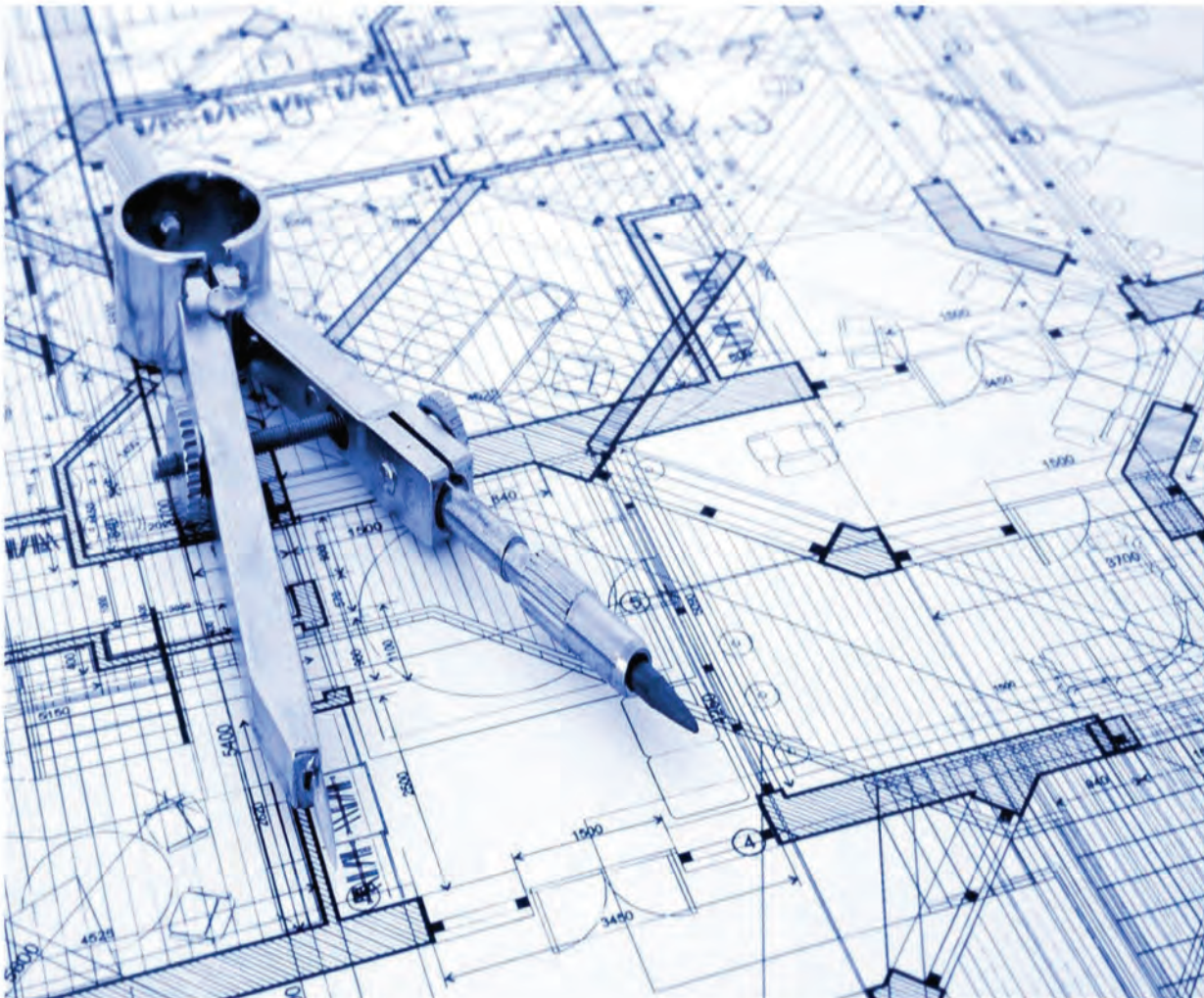


پنل ۱۰ سانت / Panel
Leowin Mundo

■ MD302
■ LW603



قاب بازسازی / Renovation Frame
Leowin Mundo



Amertat-UPVC Windows & Doors Profiles Certificates

● Guaranty

All products of Amertat group have 10 years guarantee for shape and color stability



● Certificates



Give your
Child
a
Noiseless
and peaceful
Home





Amertat-Group

UPVC windows and doors profiles

**No 84, Central Payambar St, Sattari Hwy,
Tehran, Iran - Po.Code 14718 83493
Tel: +98(21) 440 27 5 27
www.amertat-group.ir**

